

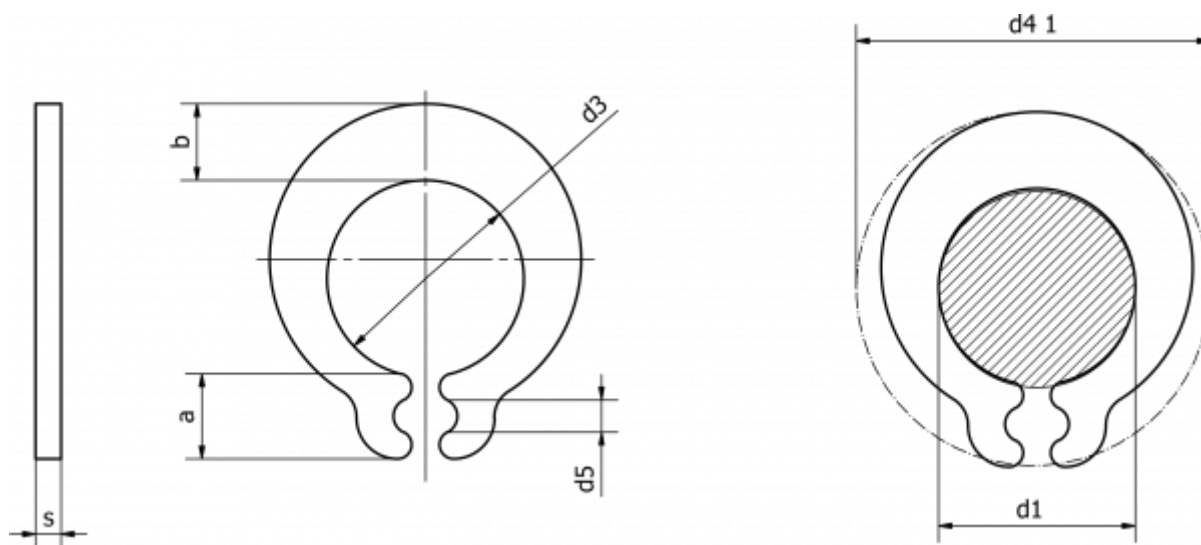
# Data Sheet



Article number: 0111024

Description: Retaining ring G 10

## Measures



a max	= 4.7	n abl x 1000	= 39
b	= 3.5	s	= 1.20
d1	= 10.0	tol	= 0.090
d3	= 9.65	Tong	= ZGG-2
d4 1	= 19.6	Weight kg/1000	= 0.944
d5 min	= 2.0		
Description	= G 10,0		
Holding force N	= 250		